



Sartorius Miras Multi-Functional Bench & Floor Scales



Sartorius Miras: Quality Meets Affordability

Sartorius Miras is a unique Multi-functional line of industrial bench and floor scales. Built-in overload & wash-down protection, portability (with optional castor wheels), and easy to use functionality make this affordable line of scales a winning combination. Weighing capacities range from 6 kg (13.2 lbs) to 300 kg (660 lbs) in three different platform sizes.

Miras platforms are equipped with painted steel frames and removable stainless steel weighing pans for years of dependable service and easy cleaning. Stainless steel column

(tube) is standard with all models and is easily removable. Indicator can be set on a bench or adapted with our optional wall bracket for easy mounting.

Built-in applications and features include; check-weighing, mass unit conversion, counting and Gross|Net displayed and printed features. The Miras series of scales are ideal for multiple weighing application including incoming|outgoing inspection, inventory management, quality control, packaging, formulation and more...

Features

- Large (1 inch) backlit "Amber" LCD display
- 15,000 digit external displayed resolution
- Fast stabilization time
- Selectable weighing units: kg, lbs, oz & grams
- Checkweighing with numerical input (HI|OK|LO displayed symbols for easy reference)
- Counting with fixed reference samples: 5, 10, 20, 50, 100
- Stainless steel weighing pan
- Painted steel frame
- IP65 protection (weighing platform)
- Optional Battery operation (six "D" size batteries)
- Built-in overload protection (150% of capacity)

Optional:
RS-232 output
for computer or
printer connection

Large 1" (25 mm) LCD display
with amber backlighting.
Easy to read even under poor
lighting conditions.



ABS plastic
housing resistant
to aggressive
cleaning agents

Zero

Tare

Gross | Net

Function key
- Counting
- Checkweighing
- Unit conversion

Print |
enter key

Simple “functionality” and “general” weighing

Easy set-up and installation allow you to get started quickly and efficiently. Attach the column and plug your scale in and you are ready to weigh – minimal warm-up time is needed. Large “On|Off”, “Tare” & “Zero” keys make for convenient and easy use.

Checkweighing

Selectable numeric lower and upper limits provide easy and convenient set-up. Display shows HI|OK|LO for easy operator reference.

Simple counting function

Select fixed reference sample (5, 10, 20, 50, 100) from menu. Place exact number of parts to be counted onto the scale and press enter. Then place the remainder of your parts to be counted; the total number of pieces is shown on the display instantly.

Net|Total formulation

With Miras indicators, users can deduct and store the weight by pressing the tare button repeatedly, up to the scale’s capacity, and can then toggle between gross and net weight. This function is ideal for weighing multiple ingredients for formulation purposes.

Easy-to-use tare function with Gross|Net weight display

Place a container on the platform and press the tare key. The tare is automatically stored in memory and the net weight is displayed. The user can easily toggle the display between gross and net weight by pressing the Gross|Net key.



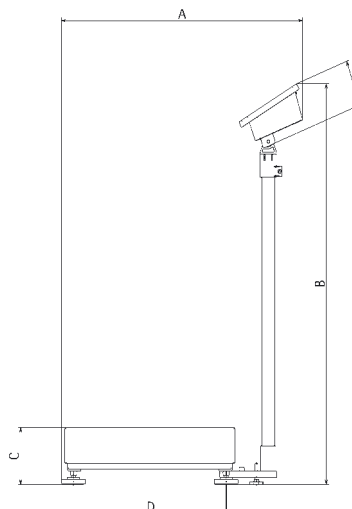
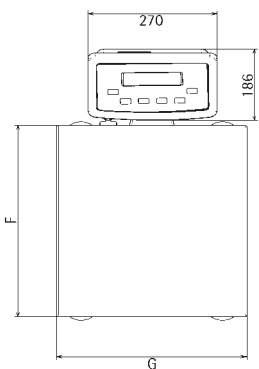
Model Overview

Order Number	Weighing capacity lbs kg	Readability lbs g	Column height inch mm	Platform dimension inch	Platform dimension mm
IW2P1U-6ED-L	13.2 6	0.001 0.5	19.7 500	15.7 × 11.8	400 × 300
IW2P1U-15ED-L	33 15	0.002 1	19.7 500	15.7 × 11.8	400 × 300
IW2P1U-30ED-L	66 30	0.005 2	19.7 500	15.7 × 11.8	400 × 300
IW2P1U-60ED-L	132.2 60	0.01 5	19.7 500	15.7 × 11.8	400 × 300
IW2P1U-60FE-L	132.2 60	0.01 5	29.5 750	19.7 × 15.7	500 × 400
IW2P1U-150FE-L	330 150	0.02 10	29.5 750	19.7 × 15.7	500 × 400
IW2P1U-300GF-L	661 300	0.05 20	29.5 750	25.6 × 19.7	650 × 500

Specifications

External resolution:	15,000 digits	- YD001i-232-9: RS-232 interface (6.5 ft [2m], 6.5 ft [2 m] 3.9 ft [1.2 m] with DB9 pins for PC connection)
Display:	LCD, 6 digits, character height: 25 mm (1"), 7 segments, with amber backlight	- YD001i-232-25: RS-232 interface (6.5 ft [2m], 6.5 ft [2 m] 3.9 ft [1.2 m] with DB25 pins for YDP10 printer)
AC Line voltage:	120 V standard 3-prong cable with internal universal power supply	- YDH01i: Indicator wall-mounting bracket
Battery operation:	Optional using 6 "D" size 1.5 V batteries	- YDP06: Printer
Temperature range:	14 to 104° F (-10 to 14° C) Up to 85% Relative Humidity	- YR001S-SL: Set of 4 castor wheels
Weighing Pan:	Stainless-Steel	
Weighing system:	Load cell(s) with IP65 rating	
Compliance:	UL CSA, CE	

Size	Dimension	A	B	C	D	E	F	G
inch	mm							
15.7 × 11.8	400 × 300	23.6	27.7	5	13.8	10	15.7	11.8
19.7 × 15.7	500 × 400	27.9	37.6	5.2	17.6	11.7	19.7	15.7
25.6 × 19.7	650 × 500	33.8	37.6	6.1	23.5	15.6	25.5	19.7



USA
Sartorius Mechatronics
Corporation
5 Orville Drive
Bohemia, NY 11716
Phone +1.631.254.4249
Toll-free +1.800.635.2906
Fax +1.631.254.4253
wt.sales@sartorius.com

Canada
Sartorius Mechatronics Canada
2179 Dunwin Drive #4
Mississauga, ON L5L 1X2
Phone +1.905.569.7977
Toll-Free +1.800.668.4234
Fax +1.905.569.7021
sales.canada@sartorius.com